



Feature:



Certificates:



Feature: >>>

Diameter 15cm, 20cm, 30cm, 40cm and 50cm available

DC 24V input, Max Power 4.3W

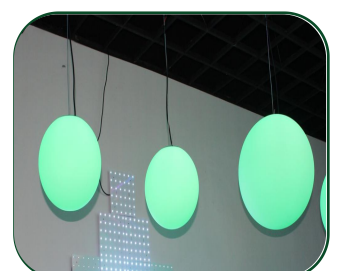
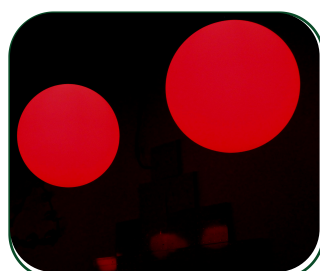
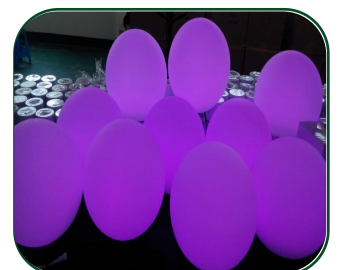
One ball one M4 short clevis

Milky cover giving 360° viewing

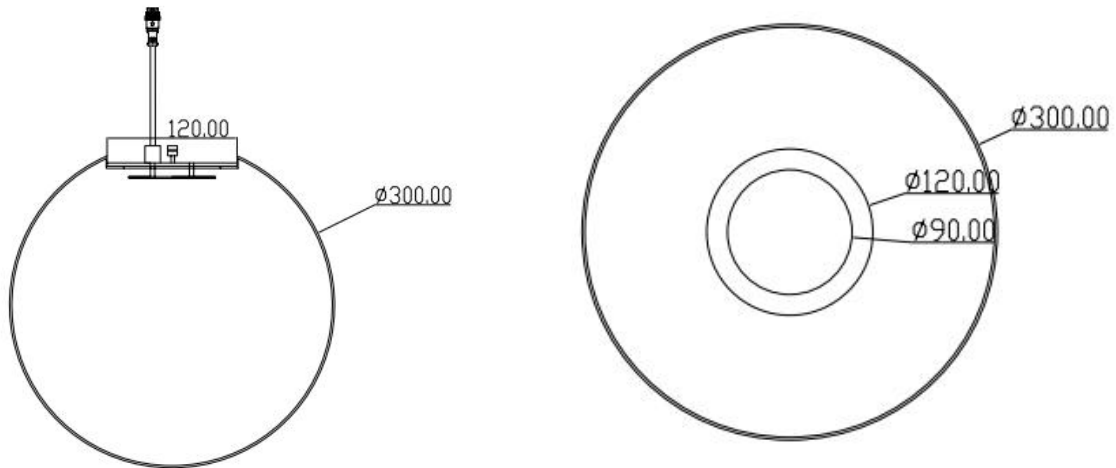
Standard DMX 512 control, 44frames/second, manual addressing

Protections: short circuit, over current , over temperature

Application: Mostly for stage lighting, shop decoration, park decoration, celebration and so on.



Product size and Parameters

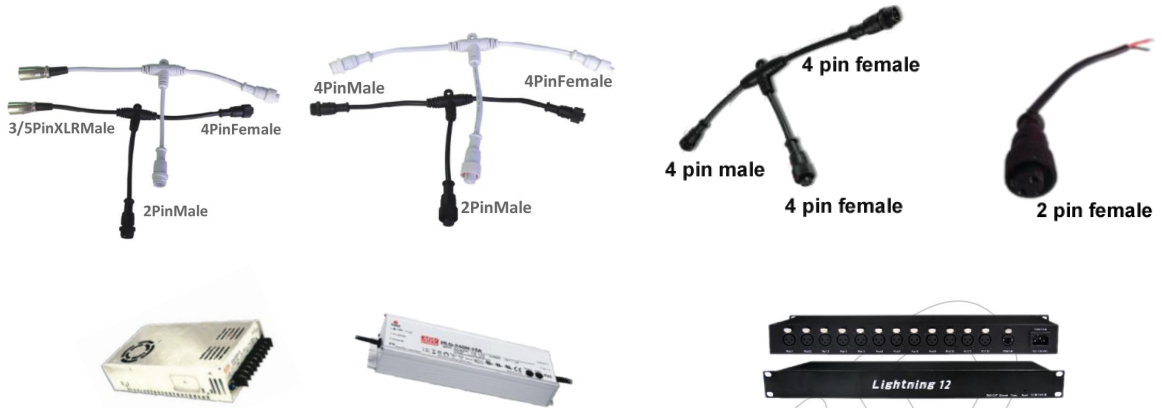
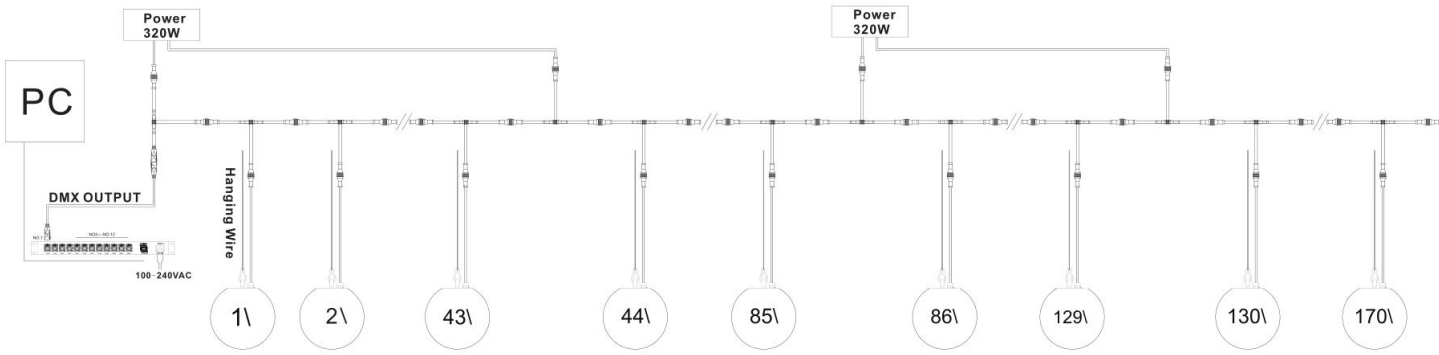


Unit: mm

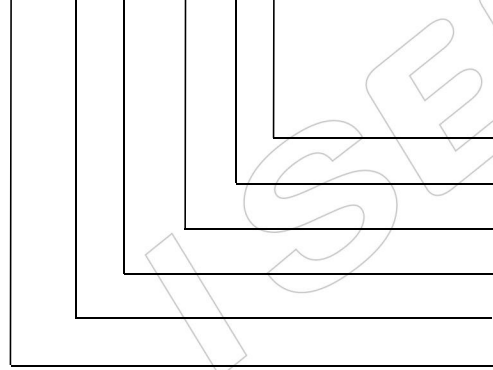
PRODUCT SPECIFICATION

	Model NO.	LED-MB150DMX0601	LED-MB200DMX1201	LED-MB300DMX1201	LED-MB400DMX1801
LED, Input and Control	Diameter	150mm	200mm	300mm	400mm
	Cover	Milky white	Milky white	Milky white	Milky white
	Color	RGB SMD RGB 5050	RGB SMD RGB 5050	RGB SMD RGB 5050	RGB SMD RGB 5050
	View Angle	360degree	360degree	360degree	360degree
	LED QTY	6Leds	12Leds	12Leds	18Leds
	Pixel QTY	1 Pixel	1 Pixel	1 Pixel	1 Pixel
	DMX Channels	3Channels	3Channels	3Channels	3Channels
	Tube Qty/Universe	170balls/universe	170balls/universe	170balls/universe	170balls/universe
Physic and Environment	Control Protocol	Standard DMX512	Standard DMX512	Standard DMX512	Standard DMX512
	Operating Voltage	DC24V	DC24V	DC24V	DC24V
	Power	1.44W	2.88W	2.88W	4.3W
	LED Source Life	50,000 hours, based on test data of LED manufacturer			
	Temperature	-20°C to 50°C operating temperature			
	Humidity Range	0 to 95% non-condensing			
	Protection	IP54	IP54	IP54	IP54

Remark: Specifications are subject to change without notice.



LED- MB 300 DMX 12 01



- 01=Pixel Quantity
- 12=LED Quantity
- DMX=Control Protocol
- 300=Diameter(mm)
- MB=Magical Ball
- LED=ISEELED

